

Mini Chemical Regulator

Model: MCR

INSTRUCTION MANUAL

<Description>

Application

Semiconductor, medicals, and chemical industry related devices

Features

- The small regulator for liquid.
- This product can be used for various types of chemical fluids such as organic solvents or equivalent, as well as strong alkaline or acid fluids, since the part in contact with fluids is made of excellent anti-corrosive fluorine resin.

WARNING
<p>Confirm the compatibility of the type of fluid to be used and the material of the part in contact with fluids before using this product. Before using this product, carefully read this instruction manual to learn the correct usage. Keep this instruction manual at hand to see it any time you need. Follow the correct usage of this product specified in this instruction manual. Comply with the statements of warning described in this instruction manual.</p>

<About Instruction Manual>

The information described in this manual is subject to change without prior notice, due to improvements of product in performance and/or functionality.

No parts of this manual may be reproduced or utilized in any form or by any means.

Please call Surpass Industry any time you lose this manual.

Every effort was made to ensure that all information included in this manual were complete and accurate at the time of printing. If you have any point of doubt, errors, and omissions, please contact Surpass Industry.

Important Safety Instructions

<About Marks Used>

The meanings of the marks, such as WARNING and CAUTION, used in this manual are described as follows.

WARNING	Indicates a potentially hazardous situation that, if not avoided, could result in user death or serious injury.
----------------	---

CAUTION	Indicates a potentially hazardous situation that, if not avoided, could result in user injury or property damage accidents.
----------------	---

WARNING and CAUTION statements

Before using this product, carefully read the following safety instructions that should be always followed.

<About Usage and Handling >

WARNING
<p>Never disassemble this product. Neglecting this caution may result in abnormal operation. As this product is the valve designed to control the flow rate at the secondary side, never use it as a check valve or ON/OFF valve. Never use this product for slurry or dusty fluids. Neglecting this warning may result in degradation of performance.</p>

1. Specifications

Wetted Parts	P T F E、P C T F E
Applicable Fluid	Fluids (distilled water, chemical solution)
Operating Fluid temperature	1 0 ~ 7 0
Operating environment temperature	1 0 ~ 6 0
Operating first side pressure range	1 0 0 ~ 4 0 0 k P a
Operating second side pressure range	5 0 ~ 2 0 0 k P a
Withstanding pressure	5 0 0 k P a
Operating flow rate	See the table below.

Model	Flow Rate (water)	Connection Type
MCR2-2X	10 ~ 1000 mL/min	NPT1/4
MCR2-2L	10 ~ 1000 mL/min	Tube connected 1/4 (6.35 x 3.95)

2. Mounting and Tubing


When mounting and tubing, follow the CAUTION statements below.

CAUTION
<p>When mounting, do not mount the product with the IN side up and the OUT side down. Doing so stops letting the air out of the tube. Do not use this product in a place that could have vibration. Doing so may result in abnormal operation. When mounting the main unit, fix it firmly by four mounting holes on the base to prevent it from falling. When tubing, confirm the arrow marked on the main unit that indicate the flow direction () and the I(IN) and O(OUT) marks marked on the joint part, to place the product in the correct position. Reverse tubing may result in abnormal operation. Connect the tube without any moment or tension to bend the joint portion. Neglecting this may result in leakage. For applications of the connecting part, refer to a brochure or an instruction manual provided with your connecting part.</p>

3. Usage

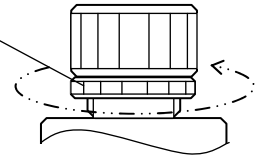
3-1 Air exhaustion

Be sure to release the air from the main unit completely. Neglecting this may cause the flow rate. Confirm that it has been stopped to generate air babbles from the OUT side.

 CAUTION
<p>Whenever using this product, follow the specified flow rate range and the pilot air pressure range. Neglecting this may cause a product failure or damage, or an accident.</p> <p>Whenever using, apply the loads to the outlet side. Otherwise, the outlet side pressure cannot be controlled.</p> <p>Whenever using this product, set the outlet side pressure value lower than the inlet side one. Neglecting this may decrease the flow rate.</p> <p>Whenever using this product, exhaust the air in the main unit completely. Neglecting this may decrease the flow rate.</p> <p>When the knob is hard to turn, first reduce the inlet pressure and then turn the knob. Turning the knob forcibly may cause a product failure or damage, or an accident.</p> <p>Fix the knob by the knob stopper, neglecting this may be unstable the flow rate</p>

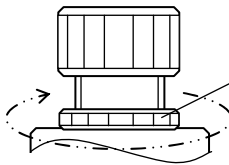
Use the knob stopper to fix the knob. Neglecting this may cause the flow rate unstable.

A stopper is raised.



3-2 Outlet side pressure setting

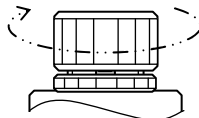
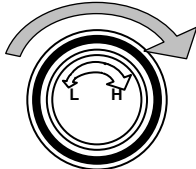
Wind down the stopper to its lower limit.



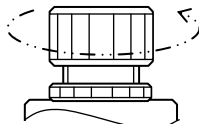
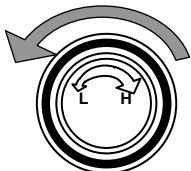
A stopper is lowered.

Turn the knob to set the outlet pressure value. Turning the knob H direction increases the pressure, and turning it L direction decreases the pressure.

< In a case of increasing the pressure >



< In a case of decreasing the pressure >



4. Warranty

Surpass Industry products are warranted to be free from latently defective in performance and material for a period of one (1) year from the date of delivery. We will replace the product that is permitted in writing by us to be latently defective in design or workmanship within this time. This warranty shall not be applied to any defects caused by misuse, alteration, neglectful treatment, and neglect of our recommendations or instructions.

In addition, we are not be liable to any direct or consequential loss, damage, and personal injury due to an unauthorized usage in combination with other products and an improper usage outside of the specifications. Our product warranty shall be limited to replacement of product.

Replacement with expense to the purchaser shall be applied to the followings:

- Any defective products caused by usage that is not described in the Instruction Manual.

- Any defective products caused by neglectful treatment.

- Any defective products caused by decomposition, alteration, and improper adjustment or repair.

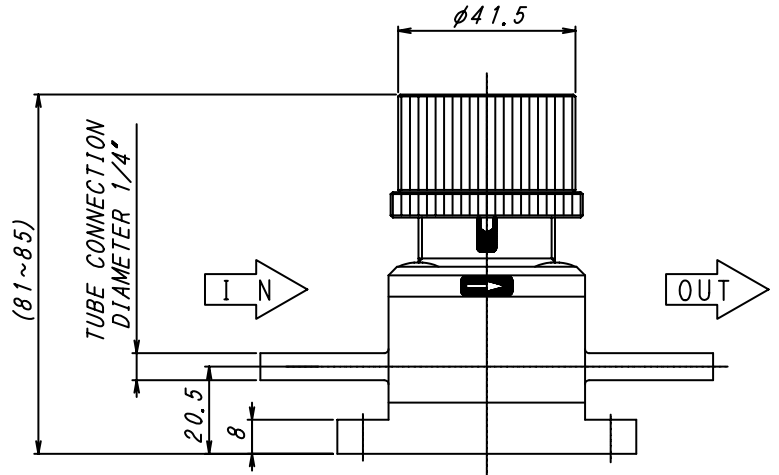
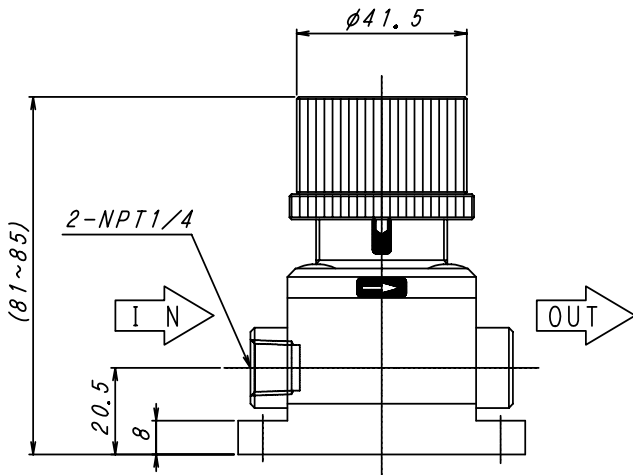
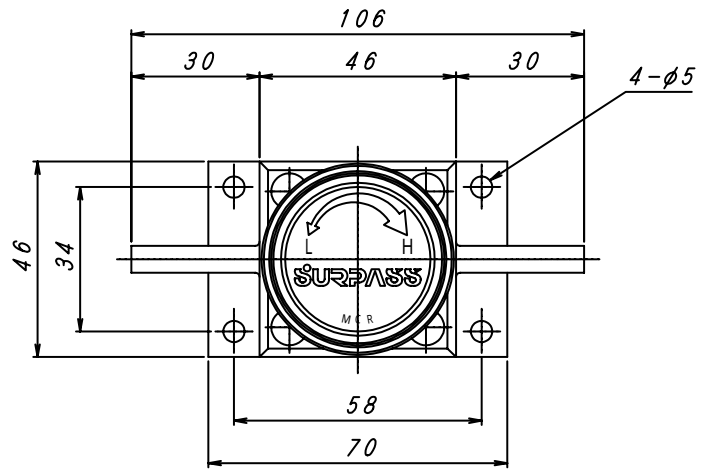
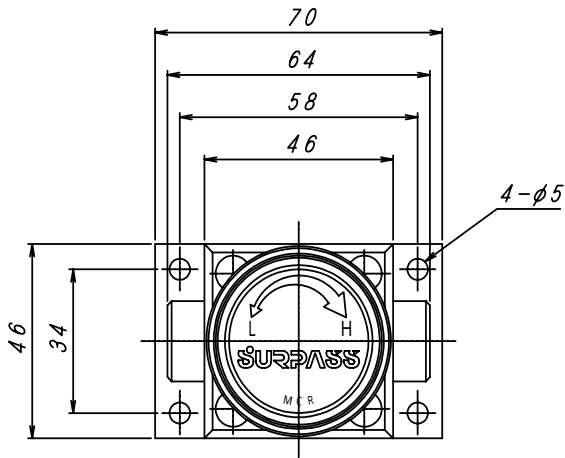
- Any defects of products caused by acts of God including natural disaster or fires.

- Consumables and accessories.

<Outside Dimensions and Part Designations>

• MCR2-2X

• MCR2-2L



<Call to:>

SURPASS Surpass Industry Co., Ltd.
2203 Shimooshi, Gyoda-shi, Saitama 361-0037 Japan

Tel: 81-485-54-9760 Fax: 81-485-54-9906

URL: <http://www.surpassindustry.co.jp>

© 2004 Surpass Industry Co.,Ltd. All rights reserved.